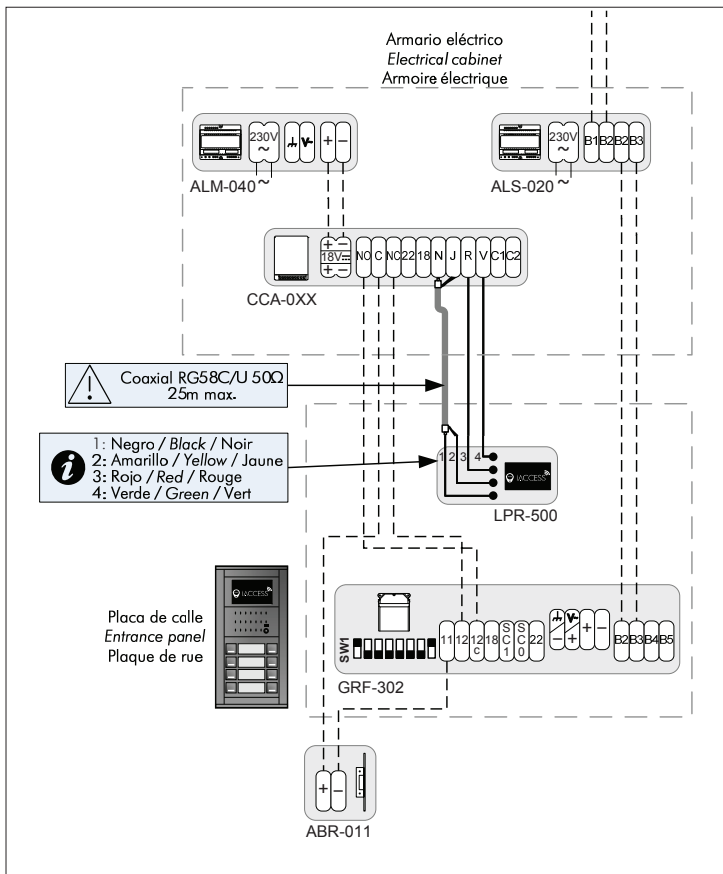
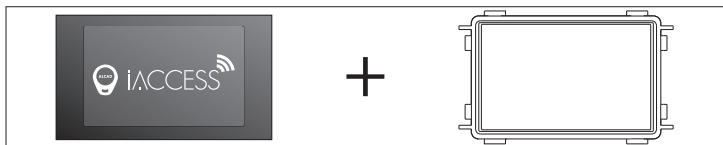
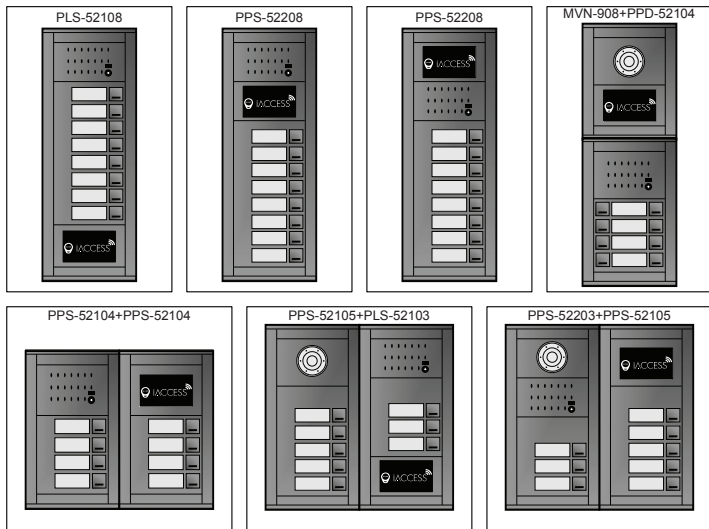
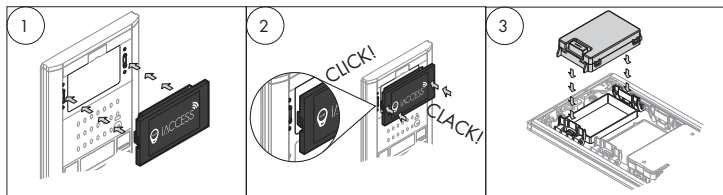
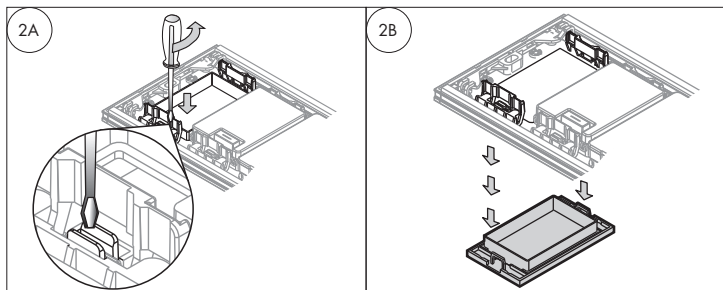
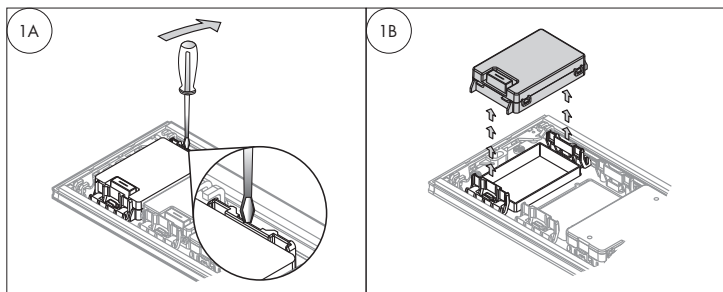




LPR-500



ELEMENTOS - ELEMENTS - ÉLÉMENTS**SUGERENCIAS DE MONTAJE - MOUNTING SUGGESTIONS - SUGGESTIONS DE MONTAGE****MODO DE USO - HOW TO USE - MODE D'UTILISATION**

MONTAJE - MOUNTING - MONTAGE**DESMONTAJE - DISMOUNTING - DÉMONTAGE**



DECLARATION OF CONFORMITY

according to EN ISO/IEC 17050-1:2004

Company name: ALCAD, S.L.
Company Address: Pol. Ind. Arreche-Ugalde, 1 Apdo. 455
20305 IRUN (Guipúzcoa)
SPAIN



declares that the product

Model Number(s): LPR-500
Product Description: ACCESS CONTROL
Product Option(s): INCLUDING ALL OPTIONS
is in conformity with: Safety: EN 60065:2002
 EMC: EN 61000-6-3:2007
 EN 61000-6-1:2007

The product herewith complies with the requirements of the Low Voltage directive 2006/95/EC and the EMC Directive 2004/108/EC.

Supplementary Information: To comply with these directives, do not use the products without covers and operate the system as specified.

Irún (SPAIN), 19 May 2014

Xabier Isasa
 General Manager

Especificaciones sujetas a modificación sin previo aviso
 Specifications subject to modifications without prior notice
 Les spécifications sont soumises à des possibles modifications sans avis préalable



ALCAD, S.L.

Tel. 943 63 96 60

Fax 943 63 92 66

Int. Tel. +34 - 943 63 96 60

info@alcad.net

Apdo. 455 - Pol. Ind. Arreche-Ugalde, 1

20305 IRUN - Spain

www.alcad.net

FRANCE - Hendaye

Tel. 00 34 - 943 63 96 60

CZECH REPUBLIC - Ostrovačice

Tel. 546 427 059

TURKEY - Istanbul

Tel. +90 212 295 97 00

UNITED ARAB EMIRATES - Dubai

Tel. +971 4 214 61 40



ISO 9001

